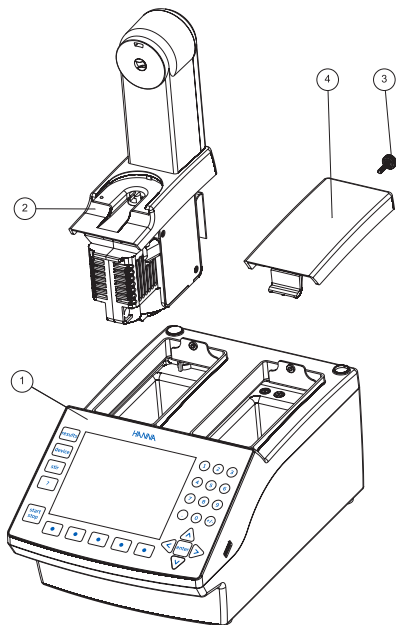
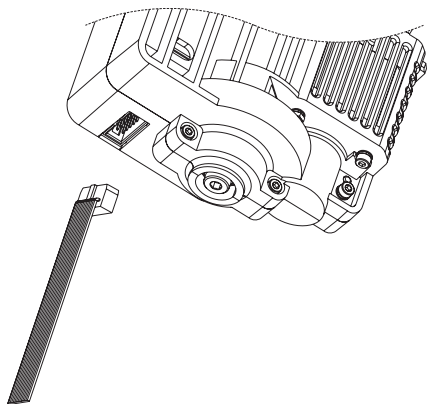


ASSEMBLY

Warning: Unplug the titrator from the power supply before connecting the dosing pump.

To connect the dosing pump, follow these steps:

- Unscrew the locking screw (3) and remove the burette blank support (4) or dosing pump (2) from the dedicated bay.
- Retrieve the pump cable from inside the bay. Pump one is located on the left side of the titrator and pump two on the right.
- Connect the cable to the pump as shown in the figure below. The pump connector is located in the lower part of the pump, near the motor.



COMPATIBILITY

HI930100 is compatible with HI931, HI932 and HI933 Automatic Titrators

ACCESSORIES

HI930105	5 mL burette
HI930110	10 mL burette
HI930125	25 mL burette
HI930150	50 mL burette

WARRANTY

HI930100 is guaranteed for one year against defects in workmanship and materials when used for its intended purpose and maintained according to instructions.

This warranty is limited to repair or replacement free of charge. Damages due to accident, misuse, tampering or lack of prescribed maintenance are not covered.

If service is required, contact your local Hanna Instruments Office. If under warranty, report the model number, date of purchase, serial number and the nature of the failure.

If the repair is not covered by the warranty, you will be notified of the charges incurred.

If the product is to be returned to Hanna Instruments, first obtain a Returned Goods Authorization Number from the Customer Service department and then send it with shipment costs prepaid. When shipping any product, make sure it is properly packaged for complete protection.

Hanna Instruments reserves the right to modify the design, construction or appearance of its products without advance notice.

CERTIFICATION

All Hanna Instruments conform to the CE European Directives.



RoHS compliant



Disposal of Electrical & Electronic Equipment. The product should not be treated as household waste. Instead hand it over to the appropriate collection point for the recycling of electrical and electronic equipment which will conserve natural resources.

www.hannainst.com

INSTRUCTION MANUAL

HI930100

Dosing pump for automatic titrators

Dear Customer,

Thank you for choosing a Hanna Instruments product. Please read this instruction manual carefully before using the instrument.

For more information about Hanna Instruments and our products, visit www.hannainst.com or e-mail us at sales@hannainst.com.

For technical support, contact your local Hanna Instruments Office or e-mail us at tech@hannainst.com

Find your local Hanna Instruments Office on www.hannainst.com

PRELIMINARY EXAMINATION

Remove the product from the packing material and examine it carefully to make sure that no damage has occurred during shipment. If there is any damage, notify your nearest Hanna Service Center.

Note: Save all packing materials until you are sure that the instrument functions correctly. Any damaged or defective items must be returned in their original packing materials together with the supplied accessories.

